

Cable Fuses - CablePro®

Rated 32 V DC

RoHS

Specifications

Voltage Rating:	32 V DC
Current Cycling:	24°C
Operating Temperature Range:	-40°C to +125°C
Complies with:	JASO 0612
Fuse housing:	PPA-GF33
Insulator housing:	PA-GF30



Cable Fuses - CablePro®

Description

CablePro® automotive inline fuses come attached to insulated 32 V cables with cross-sections of between 5 mm² and 25 mm².

All-in-one design allows the inline fuses to deliver materials savings while providing predictable time-delay circuit protection similar to MEGA® Slo-Blo® fuses. Please know that CablePro fuses are not sealed. Applying a shrink tube before installing one of these fuses

Features & Benefits

- Time-delayed
- Available with ratings of 60 A to 200 A
- 60 A, 100 A, 150 A, and 200 A fuses with FL2G cables are UL Recognized
- Available with FL2G cables that comply with SAE J1127 SXT, SAE J1128 TXL, and ISO 6722 standards and operate at up to 125 °C

Applications

- Cars
- Trucks
- SUVs
- Offroad vehicles
- Watercraft as approved by Littelfuse

Cable Fuses - CablePro®

Rated 32 V DC

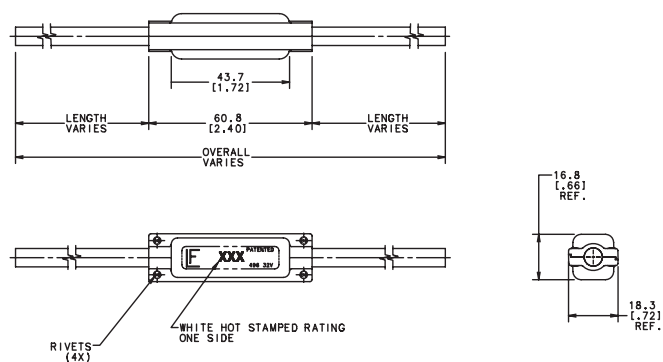
Ratings

Part Number	Current Rating	Wire Size	Cold Resistance	I ² t
0496060_1	60 A	5mm ² (10AWG)	0.920 mΩ	–
0496080_	80 A	8mm ² (8AWG)	0.689 mΩ	–
0496100_1	100 A	8mm ² (8AWG)	0.460 mΩ	–
0496125_	125 A	13mm ² (6AWG)	0.390 mΩ	–
0496150_1	150 A	19mm ² (4AWG)	0.346 mΩ	–
0496175_	175 A	19mm ² (4AWG)	0.268 mΩ	–
0496200_1	200 A	19mm ² (4AWG)	0.173 mΩ	–
0496200_1	200 A	25mm ²	–	–

Note 1: Short circuit protectors only. Contact Littelfuse for complete part numbers.

Dimensions

Dimensions in mm



Cable Fuses - CablePro®

Rated 32 V DC

Time-Current Characteristics

% of Rating	Opening Time Min / Max (s)
100	360,000 / -
135	120 / 1800
200	10 / 300
350	1 / 15
600	0.30 / 5