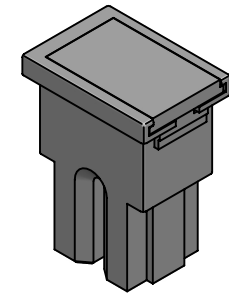
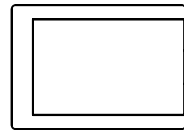
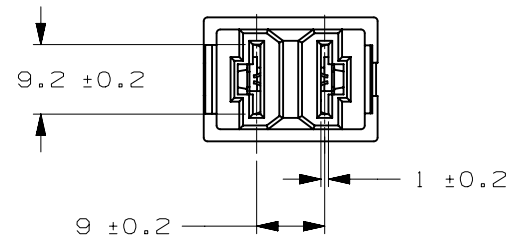
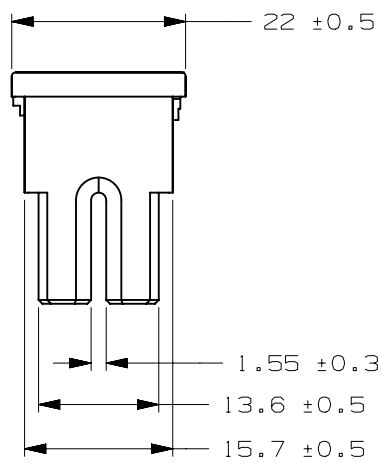
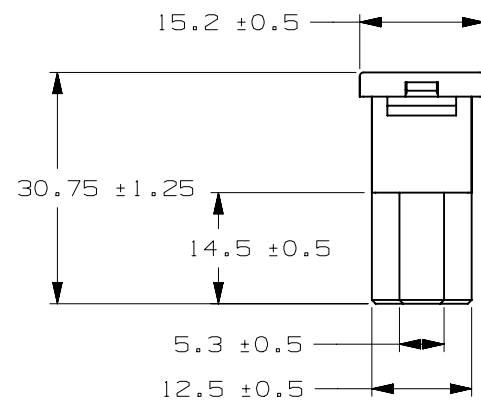


CURRENT RATE [ A ]	VERSIONS AND PART NUMBERS
20	0293020.MXJ
30	0293030.MXJ
40	0293040.MXJ
50	0293050.MXJ
60	0293060.MXJ
70	0293070.MXJ
80	0293080.MXJ
100	0293100.MXJ

LTR	DATE	REVISION	DRW
A	11/FEB/23	526175GCA - INITIAL RELEASE	OPL



ISOMETRIC VIEW



PAL FUSE 293 32V						
TERMINAL MATERIAL:	COPPER ALLOY					
TERMINAL PLATING:	NONE					
HOUSING MATERIAL:	PA66 GF33					
COVER MATERIAL:	NONE					
LINEAR DIMENSIONS				ANGLES	RADII	
DIM	.5 - 6	6 - 30	30 - 120	120 - 400	±0.5°	±0.2
TOL	±0.1	±0.2	±0.3	±0.5		
3RD ANGLE PROJECTION		Littelfuse		REVISION	DRWG. NO.	
		CHICAGO, USA 773-628-1000		A	WEB-0293000.MXJ	