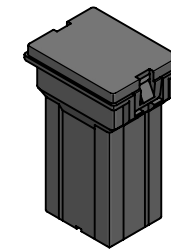
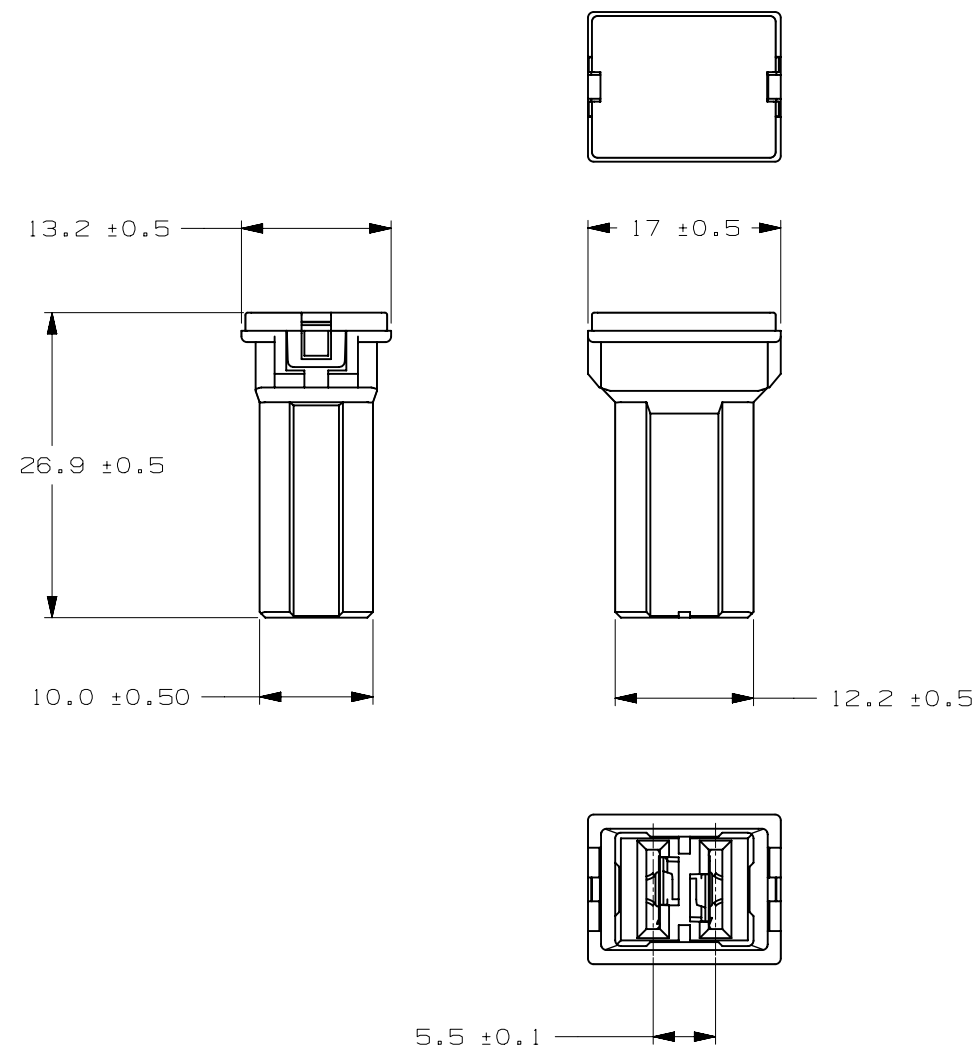


CURRENT RATE [A]	VERSIONS AND PART NUMBERS
20	0293820.MXJ
30	0293830.MXJ
40	0293840.MXJ
50	0293850.MXJ
60	0293860.MXJ
70	0293870.MXJ
80	0293880.MXJ

LTR	DATE	REVISION	DRW
A	11/FEB/23	526175GCA - INITIAL RELEASE	OPL



ISOMETRIC VIEW



PAL FUSE 2938 32V						
TERMINAL MATERIAL:	COPPER ALLOY					
TERMINAL PLATING:	NONE					
HOUSING MATERIAL:	PA66-GF33					
COVER MATERIAL:	PC/TRANSPARENT					
LINEAR DIMENSIONS					ANGLES	RADII
DIM	.5 - 6	6 - 30	30 - 120	120 - 400	±0.5°	±0.2
TOL	±0.1	±0.2	±0.3	±0.5		
3RD ANGLE PROJECTION			Littelfuse	REVISION	DRWG. NO.	
			CHICAGO, USA 773-628-1000	A	WEB-0293800.MXJ	