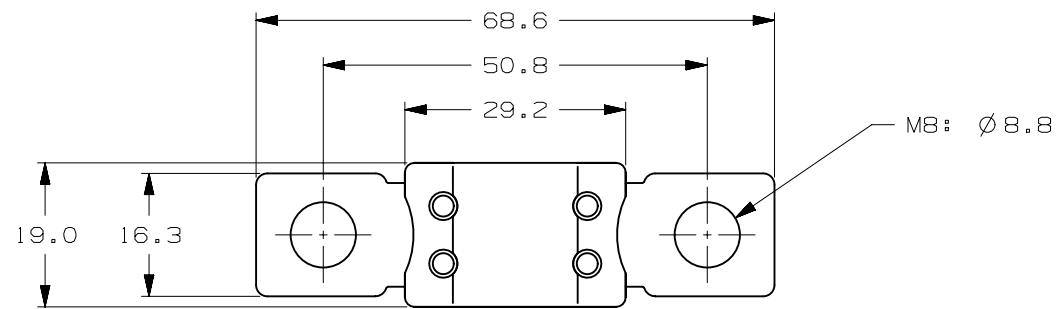
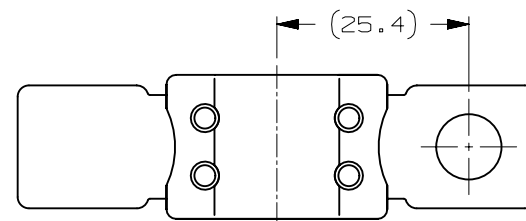


VERSIONS AND PART NUMBERS			
CURRENT RATE [A]	M6 1 HOLE	M8 2 HOLES	M8 1 HOLE
125	-	0298125.ZXBLT	-
150	0298150.ZXEH-LT	-	0298150.UX1M8LT
175	0298175.ZXEH-LT	-	0298175.UX1M8LT
200	0298200.ZXEH-LT	-	0298200.UX1M8LT
225	0298225.ZXEH-LT	-	0298225.UX1M8LT
250	0298250.ZXEH-LT	-	029250.UX1M8LT
275	0298275.ZXEH-LT	-	0298275.UX1M8LT

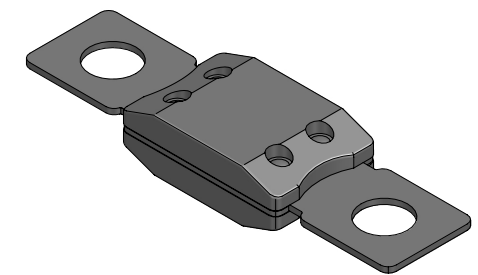
LTR	DATE	REVISION	DRW
A	01/FEB/23	526136GCA - INITIAL RELEASE	OPL



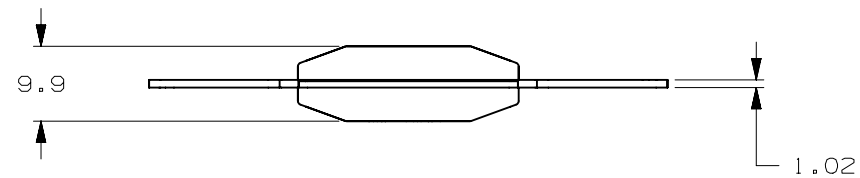
ZXBLT & ZXEH-LT VERSIONS



UX1M8LT VERSION



ISOMETRIC VIEW



MEGA LT 32V						
TERMINAL MATERIAL:	COPPER					
TERMINAL PLATING:	ZXEH-LT & UX1M8LT: NONE ZXBLT: SILVER					
HOUSING MATERIAL:	PPA-GF33HS (U.L. 94 FLAMMABILITY RATING - HB)					
LINEAR DIMENSIONS					ANGLES	RADII
DIM	.5 - 6	6 - 30	30 - 120	120 - 400	±0.5°	±0.2
TOL	±0.1	±0.2	±0.3	±0.5		
3RD ANGLE PROJECTION			Littelfuse	REVISION	DRWG. NO.	
			CHICAGO, USA 773-628-1000	A	WEB-0298000.LT	