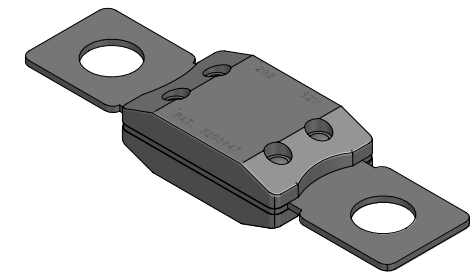
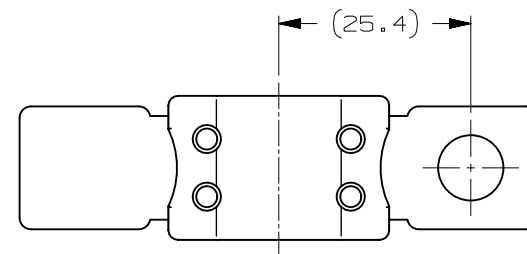
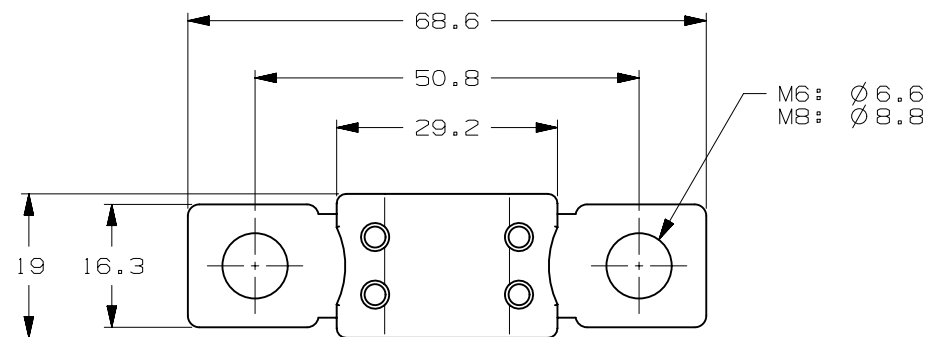


VERSIONS AND PART NUMBERS					
CURRENT RATE [A]	M6 2 HOLES	M8 1 HOLES	M8 2 HOLES	M8 2 HOLES CLEAR TOP	M8 2 HOLES SILVER PLATED
40	-	-	-	0298040.UXT	0298040.ZXB
60	-	-	-	0298060.UXT	0298060.ZXB
80	0298080.ZXA	0298080.UX1M8	0298080.ZXEH	0298080.UXT	0298080.ZXB
100	0298100.ZXA	0298100.UX1M8	0298100.ZXEH	0298100.UXT	0298100.ZXB
125	0298125.ZXA	0298125.UX1M8	0298125.ZXEH	0298125.UXT	0298125.ZXB
150	0298150.ZXA	0298150.UX1M8	0298150.ZXEH	0298150.UXT	0298150.ZXB
175	0298175.ZXA	0298175.UX1M8	0298175.ZXEH	0298175.UXT	0298175.ZXB
200	0298200.ZXA	0298200.UX1M8	0298200.ZXEH	0298200.UXT	0298200.ZXB
225	0298225.ZXA	0298225.UX1M8	0298225.ZXEH	0298225.UXT	0298225.ZXB
250	0298250.ZXA	0298250.UX1M8	0298250.ZXEH	0298250.UXT	0298250.ZXB
300	0298300.ZXA	0298300.UX1M8	0298300.ZXH	-	-
350	0298350.ZXA	0298350.UX1M8	0298350.ZXH	-	-
400	0298400.ZXA	0298400.UX1M8	0298400.ZXH	-	-
450	0298450.ZXA	0298450.UX1M8	0298450.ZXH	-	-
500	0298500.ZXA	0298500.UX1M8	0298500.ZXH	-	-

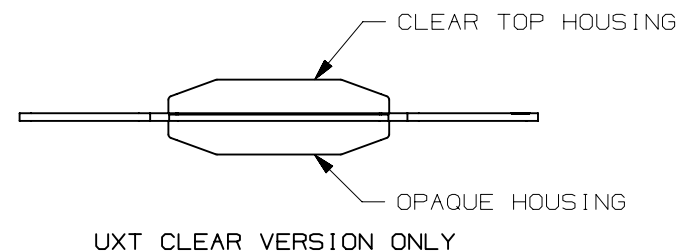
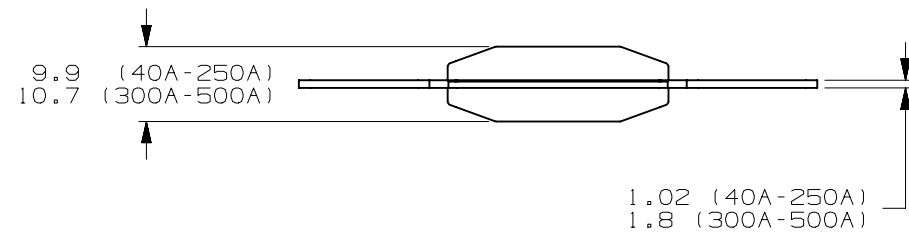
LTR	DATE	REVISION	DRW
A	01/FEB/23	526136GCA - INITIAL RELEASE	OPL



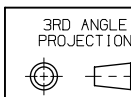
ISOMETRIC VIEW



UX1M8 VERSION ONLY



MEGA 32V (SF51)						
TERMINAL MATERIAL:	COPPER: 80A - 500A BRASS: 40A - 60A					
TERMINAL PLATING:	ZXB: SILVER ZXA/UX1M8/ZXEH/ZXH/UXT: NONE					
HOUSING MATERIAL:	ZXEH, ZXH, UX1M8, ZXB, ZXA, UXT: PPA-GF33HS (U.L. 94 FLAMMABILITY RATING-HB)					
CLEAR TOP HOUSING MATERIAL:	UXT: PES (U.L. 94 FLAMMABILITY RATING-VO)					
LINEAR DIMENSIONS				ANGLES	RADII	
DIM	.5 - 6	6 - 30	30 - 120	120 - 400	$\pm 0.5^\circ$	± 0.2
TOL	± 0.1	± 0.2	± 0.3	± 0.5		



REVISION
A

DRWG. NO.
WEB-0298000.Z