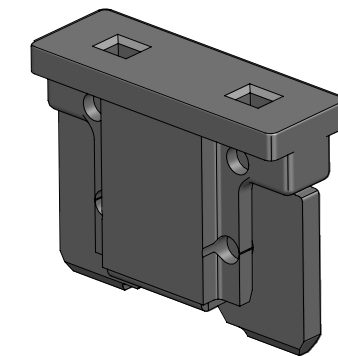
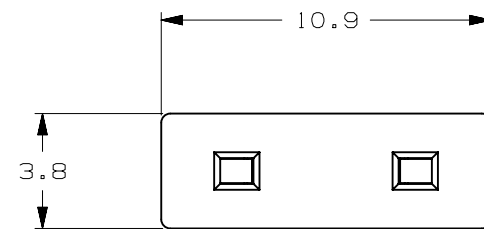
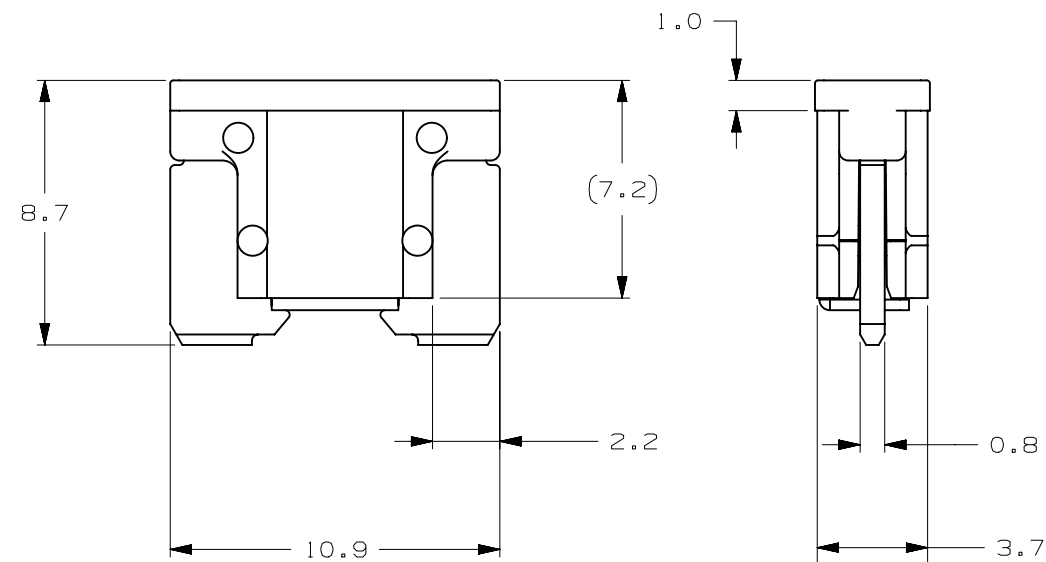


| CURRENT RATE [A] | VERSIONS AND PART NUMBERS |
|-----------------------|---------------------------|
| 5 | 0891005.NXWS |
| 7.5 | 089107.5NXWS |
| 10 | 0891010.NXWS |
| 15 | 0891015.NXWS |
| 20 | 0891020.NXWS |
| 25 | 0891025.NXWS |
| 30 | 0891030.NXWS |

| LTR | DATE | REVISION | DRW |
|-----|-----------|-----------------------------|-----|
| A | 01/FEB/23 | 526135GCA - INITIAL RELEASE | OPL |
| | | | |
| | | | |



ISOMETRIC VIEW



| LP MINI 10.9mm 58V | | | | | |
|----------------------|--|---------------------------|----------|-----------|------------------|
| TERMINAL MATERIAL: | ZINC | | | | |
| TERMINAL PLATING: | SILVER | | | | |
| HOUSING MATERIAL: | PA66 (U.L. 94 FLAMMABILITY RATING - HB) | | | | |
| LINEAR DIMENSIONS | | | | ANGLES | RADII |
| DIM | .5 - 6 | 6 - 30 | 30 - 120 | 120 - 400 | ±0.5° ±0.2 |
| TOL | ±0.1 | ±0.2 | ±0.3 | ±0.5 | |
| 3RD ANGLE PROJECTION | | Littelfuse® | | REVISION | DRWG. NO. |
| | | CHICAGO, USA 773-628-1000 | | A | WEB-0891000.NXWS |