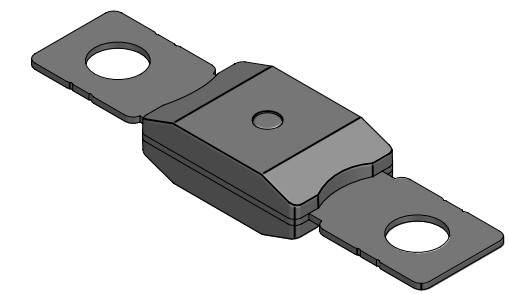
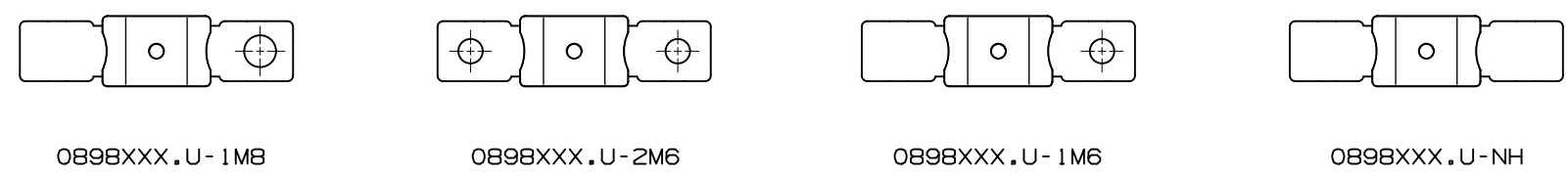
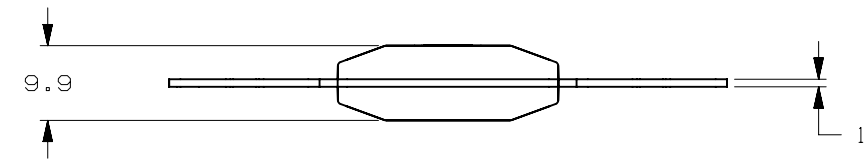
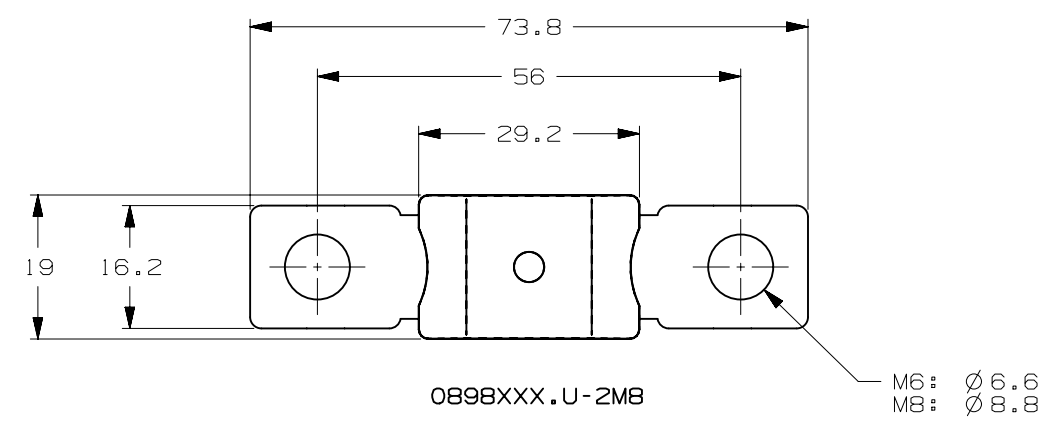


VERSIONS AND PART NUMBERS					
CURRENT RATE [A]	M6 1 HOLE	M6 2 HOLES	M8 1 HOLE	M8 2 HOLES	NO HOLES
60	0898060.U-1M6	0898060.U-2M6	0898060.U-1M8	0898060.U-2M8	0898060.U-NH
80	0898080.U-1M6	0898080.U-2M6	0898080.U-1M8	0898080.U-2M8	0898080.U-NH
100	0898100.U-1M6	0898100.U-2M6	0898100.U-1M8	0898100.U-2M8	0898100.U-NH
125	0898125.U-1M6	0898125.U-2M6	0898125.U-1M8	0898125.U-2M8	0898125.U-NH
150	0898150.U-1M6	0898150.U-2M6	0898150.U-1M8	0898150.U-2M8	0898150.U-NH
175	0898175.U-1M6	0898175.U-2M6	0898175.U-1M8	0898175.U-2M8	0898175.U-NH
200	0898200.U-1M6	0898200.U-2M6	0898200.U-1M8	0898200.U-2M8	0898200.U-NH
225	0898225.U-1M6	0898225.U-2M6	0898225.U-1M8	0898225.U-2M8	0898225.U-NH
250	0898250.U-1M6	0898250.U-2M6	0898250.U-1M8	0898250.U-2M8	0898250.U-NH
300	0898300.U-1M6	0898300.U-2M6	0898300.U-1M8	0898300.U-2M8	0898300.U-NH
350	0898350.U-1M6	0898350.U-2M6	0898350.U-1M8	0898350.U-2M8	0898350.U-NH
400	0898400.U-1M6	0898400.U-2M6	0898400.U-1M8	0898400.U-2M8	0898400.U-NH
450	0898450.U-1M6	0898450.U-2M6	0898450.U-1M8	0898450.U-2M8	0898450.U-NH
500	0898500.U-1M6	0898500.U-2M6	0898500.U-1M8	0898500.U-2M8	0898500.U-NH

LTR	DATE	REVISION	DRW
A	01/FEB/23	526136GCA - INITIAL RELEASE	OPL



ISOMETRIC VIEW



MEGA HP 70V (SF56)					
TERMINAL MATERIAL:	ETP COPPER				
TERMINAL PLATING:	TIN				
HOUSING MATERIAL:	PPA-GF33HS (U.L. 94 FLAMMABILITY RATING - HB)				
LINEAR DIMENSIONS				ANGLES	RADII
DIM	.5 - 6	6 - 30	30 - 120	120 - 400	±0.5° ±0.2
TOL	±0.1	±0.2	±0.3	±0.5	
3RD ANGLE PROJECTION		Littelfuse®		REVISION	DRWG. NO.
		CHICAGO, USA 773-628-1000		A	WEB-0898000.U