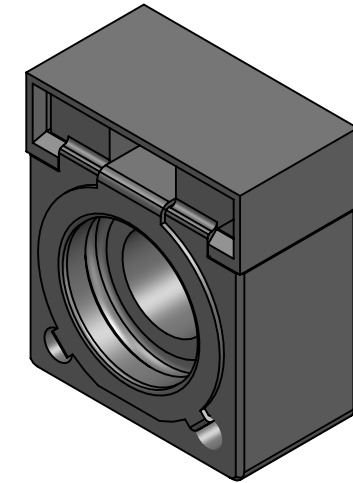
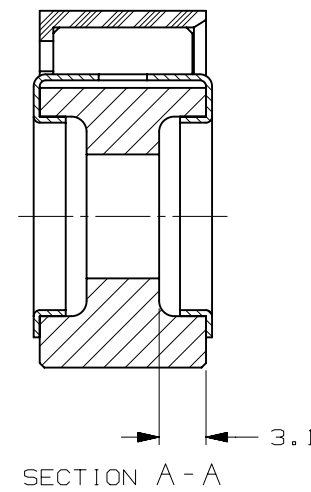
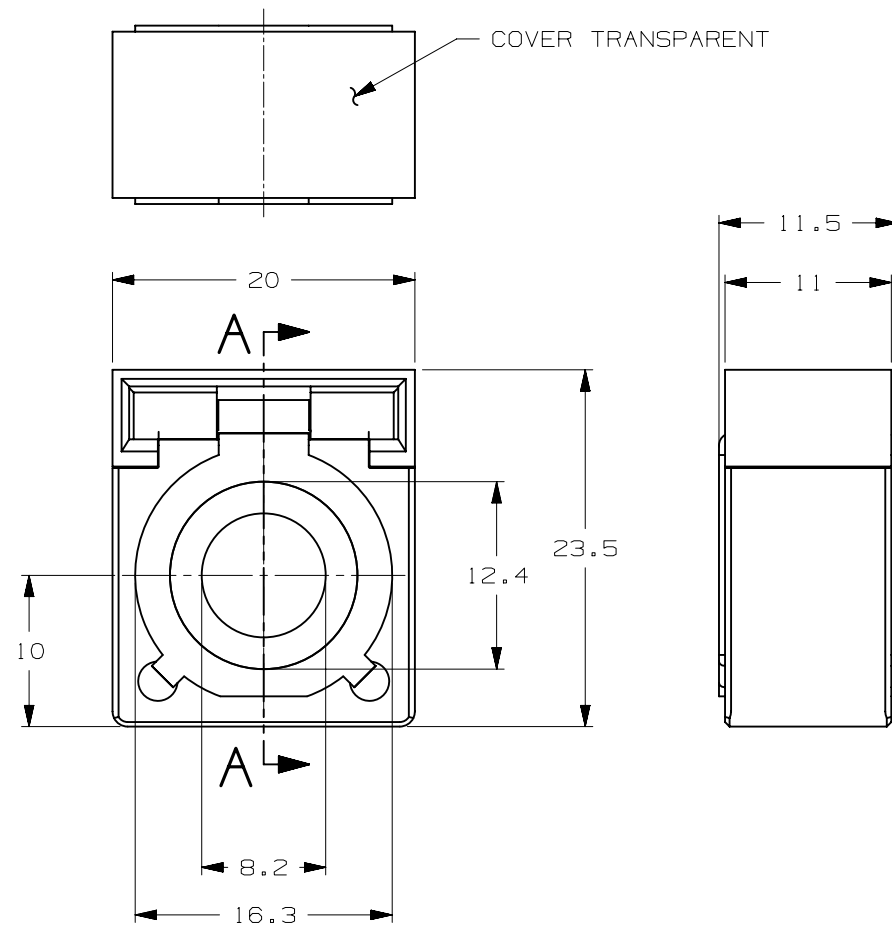


CURRENT RATE [A]	VERSIONS AND PART NUMBERS
50	155.0892.5501
5	155.0892.5751
100	155.0892.6101
125	155.0892.6121
150	155.0892.6151
175	155.0892.6171
200	155.0892.6201
250	155.0892.6251
300	155.0892.6301

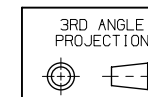
LTR	DATE	REVISION	DRW
A	01/FEB/23	526138GCA - INITIAL RELEASE	OPL



ISOMETRIC VIEW



CF 58V						
TERMINAL MATERIAL:	50A - 125A: ZINC ALLOY 150A - 300A: COPPER ALLOY					
TERMINAL PLATING:	TIN PLATED					
COVER MATERIAL:	PES					
INSULATING BODY MATERIAL:	OUT OF CERAMIC					
LINEAR DIMENSIONS				ANGLES	RADII	
DIM	.5 - 6	6 - 30	30 - 120	120 - 400	±0.5°	±0.2
TOL	±0.1	±0.2	±0.3	±0.5		



REVISION	DRWG. NO.
A	WEB-155.0892.0000