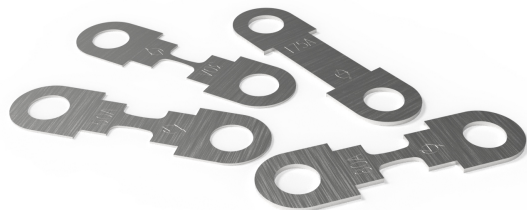


HSB

Rated 32 V

RoHS



Specifications

Voltage Rating:	32 V DC
Interrupting Rating:	1000 A @ 32 VDC
Recommended Environmental Temperature:	-40 °C to +125 °C
Material:	Zinc Alloy
Torque Bolt M6:	4 Nm +/- 1 Nm

Description

These fuses protect wires in diesel vehicles. Do not install the high-current automotive fuses in EVs or gasoline-fueled vehicles. Buy fuse holders separately.

Features & Benefits

- Ring-type lugs ensure secure mounting
- Time- delayed
- Available with ratings of 30 A to 175 A
- Zinc alloy elements and connectors

Applications

- Diesel vehicles

Ordering Information

Part Number	Package Size
156.5677.xxx1	100
156.5677.xxx2	10000

HSB

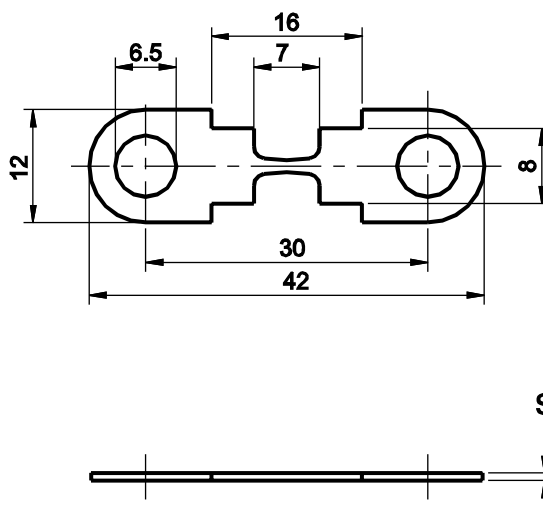
Rated 32 V

Ratings

Part Number	Current Rating (A)	Typ. Voltage Drop (mV)	Cold Resistance (mΩ)	I ² t (A ² s)	Material Thickness "S" (mm)
156.5677.530_	30	44	1.33	3800	0.4
156.5677.540_	40	40	0.89	11200	0.4
156.5677.550_	50	44	0.72	21300	0.4
156.5677.560_	60	38	0.58	41400	0.4
156.5677.580_	80	40	0.43	44800	0.8
156.5677.611_	110	40	0.31	139000	0.8
156.5677.615_	150	52	0.23	465000	0.8
156.5677.617_	175	46	0.22	560000	0.8

Dimensions

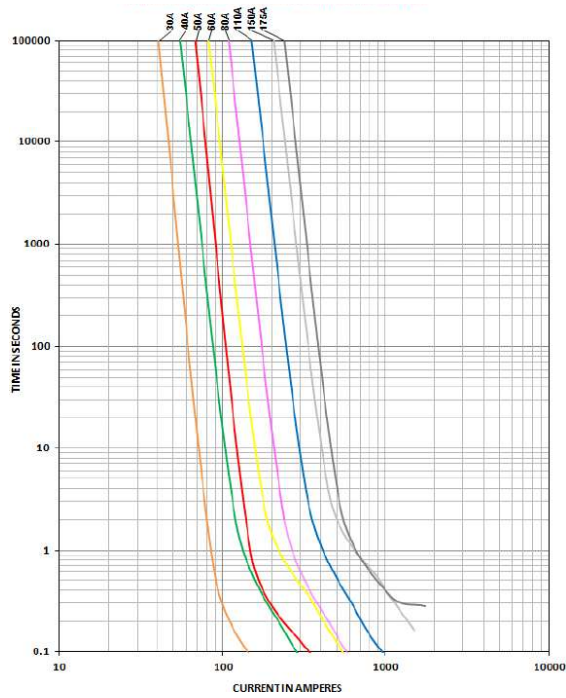
Dimensions in mm for reference only.
See outline drawing for dimensions and tolerances



HSB

Rated 32 V

Time-Current Characteristic Curves



FI = 1.00 (max. operating current:
1.0 x I_{rat} at 23°C)

Time-Current Characteristics

% of Rating	Opening Time Min / Max (s)
100	∞ / -
125	360,000 s / -
300	0.100 s / 10 s
600	0.020 s / 1 s
1000	0.010 s / 0.300 s